

PU Binders for Equine Areas

COATING (PU4517/PURA4421)



DESCRIPTION

Non-hazardous, fast curing, flexible, solvent free resin for bonding rubber crumb particles

Can be used with polyurea seal coat for hygienic seal in enclosed areas

USES

Stables; Parade Grounds; Equine Walkways

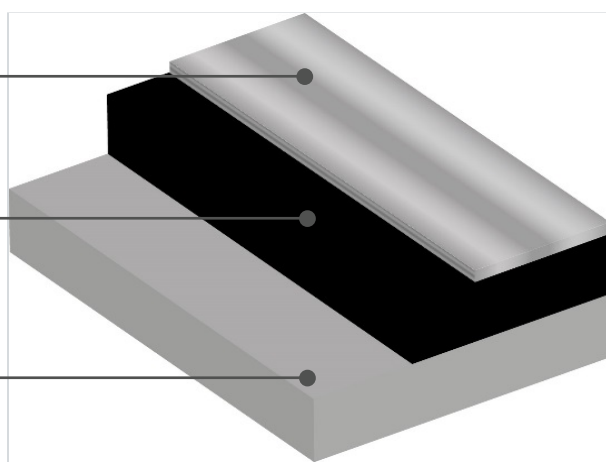
BENEFITS

- Seamless – installed in situ
- Reduces bedding consumption
- Anti-slip
- Fast curing
- Excellent Track Record
- High tensile binder for rubber layer
- Ancillary products available e.g. primers, accelerators and resalers

Polyurea Seal Coat

EPDM Rubber/
High Tensile PU Binder

Substrate



PU Binders for Equine Areas

COATING (PU4517/PURA4421)



PRODUCT SPECIFICATION

Product: Leeson Rubber Crumb Binder
Thickness: Typically 40-50mm
Manufacturer: Leeson Polyurethanes Ltd.
Telephone: + 44 (0) 1926 833367

SUBSTRATE REQUIREMENTS

System typically installed on concrete.

PRODUCTS INCLUDED IN THIS SYSTEM

Primer: PU3922 spread at 0.3kg/m².
Base Layer: Typically EPDM 1-3mm/PU at 20%
Wear Layer: PURA4421 Black at 1-2kg/m².
Detailed installation instructions are available on request.

INSTALLATION SERVICE

The installation should be carried out by an experienced contractor, details of contractors in your area can be obtained by contacting the company.

IMPORTANT NOTE

Leeson Polyurethanes' products are guaranteed against defective materials and manufacture and are sold subject to its standard Terms and Conditions of Sale, copies of which can be obtained on request.

UV DISCOLOURATION

*Please note that rubber crumb binder products are based on MDI polyurethane technology which is subject to colour change under exposure to UV. The strength of the system is not affected.

We have in-house UV testing facilities and can test customer's rubber/binder combinations. We strongly urge our customers to use this service prior to using a new rubber.

TECHNICAL INFORMATION

The figures below are typical properties achieved in laboratory tests at 21°C and 55% Relative Humidity

Temperature Resistance

Resistant to temperatures of up to 50°C for long periods

Elongation @ Break

Top Coat (PURA4421) 350% min

Tensile Strength

Top Coat (PURA4421) 10 N/mm²

Chemical Resistance

To various acids, diesel and petrol as well as strong bases.

Speed of Cure

20°C 6 hours

AFTERCARE - CLEANING AND MAINTENANCE

The surface should be swept regularly to keep it free of organic material such as leaves.

ENVIRONMENTAL IMPACT

The finished system is assessed as non-hazardous to health and the environment. The long service life and seamless surface reduce the need for repairs, maintenance and cleaning. Environmental and health considerations are controlled during manufacture of the products by Leeson Polyurethanes staff.

FURTHER INFORMATION

To ensure you are specifying a fit for purpose surface for your project please consult our Area Sales Manager for your area or visit our website.



Leeson Polyurethanes Ltd.

Hermes Close, Warwick, CV34 6RP, UK.

Tel: +44 (0) 1926 833367 Fax: +44 (0) 1926 881469
sales@lpultd.com | www.lpultd.com

{ A bond for life }